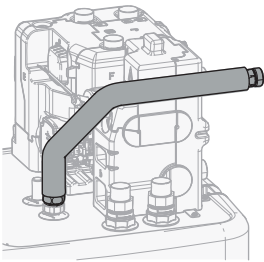




DAIKIN Altherma 3 H MT ECH₂O
ETS*12-E

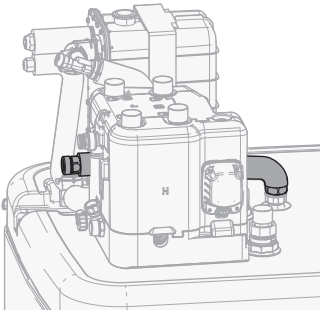
DAIKIN Altherma 3 H HT ECH₂O
ETS*16-E



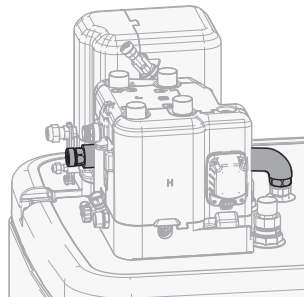
 = 300 l 

 = 500 l 

DAIKIN Altherma 3 R ECH₂O
EBS*-D



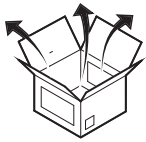
DAIKIN Altherma 3 R ECH₂O
EHS*-E



EKECDBC01A*
EKECDBC02A*

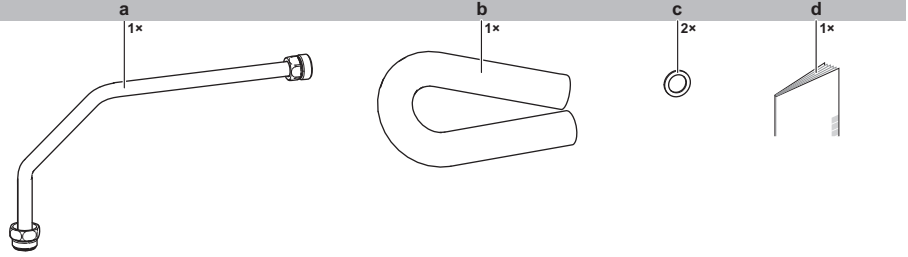


[EKECDBC01AF]

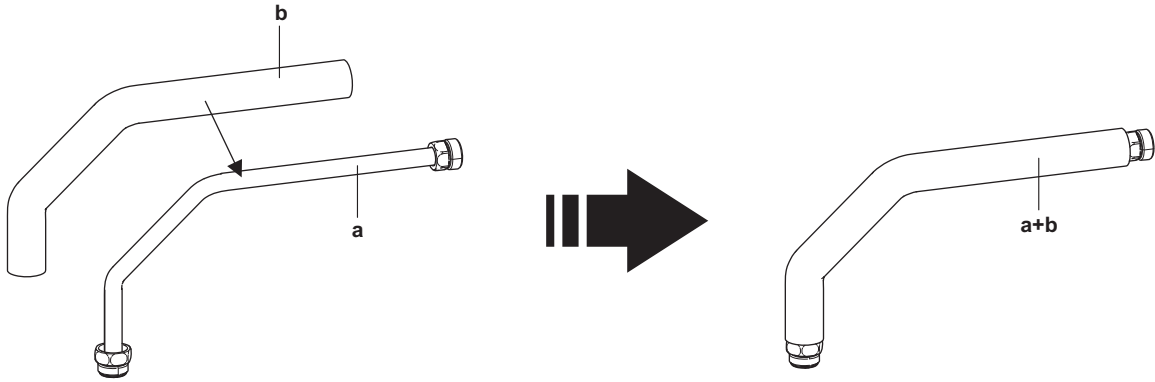


300 l ✓
500 l ✗

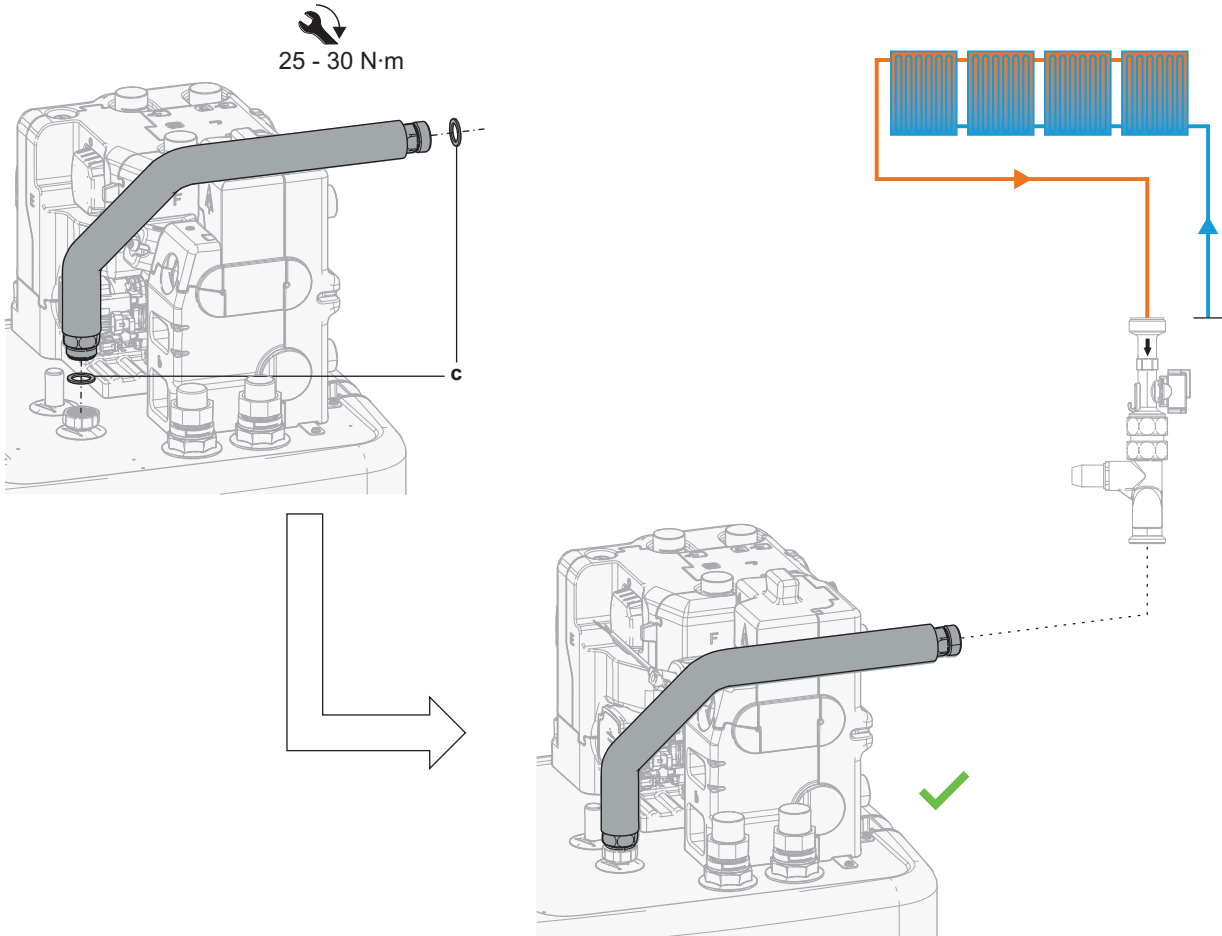
EKECDBC01A*



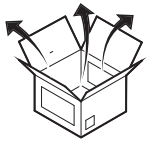
1.1



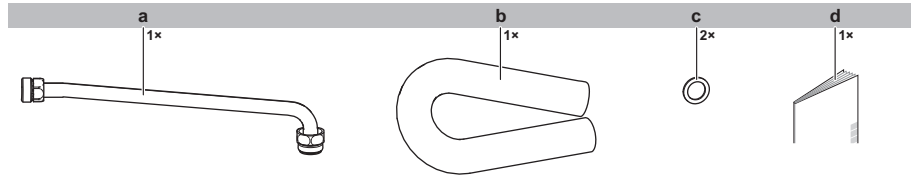
1.2



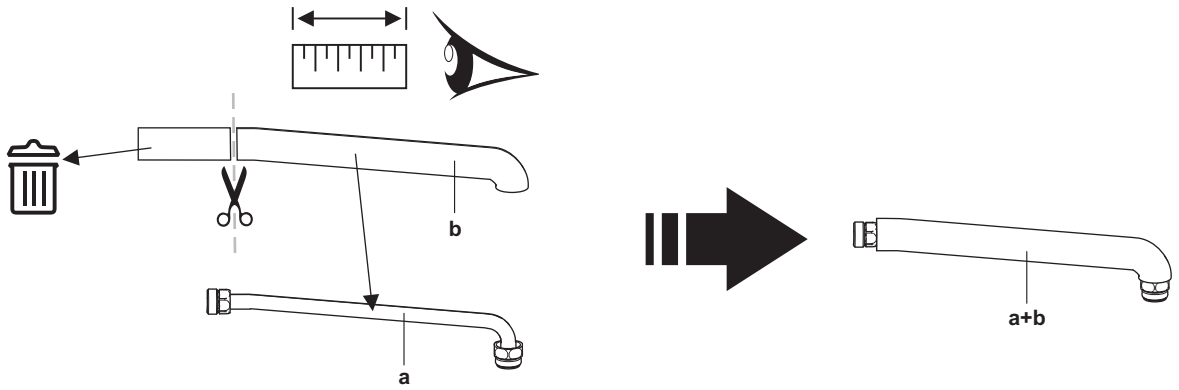
DAIKIN Altherma 3 H MT ECH₂O - ETS*12-E /
 DAIKIN Altherma 3 H HT ECH₂O - ETS*16-E
 +
 EKECDBC01A*



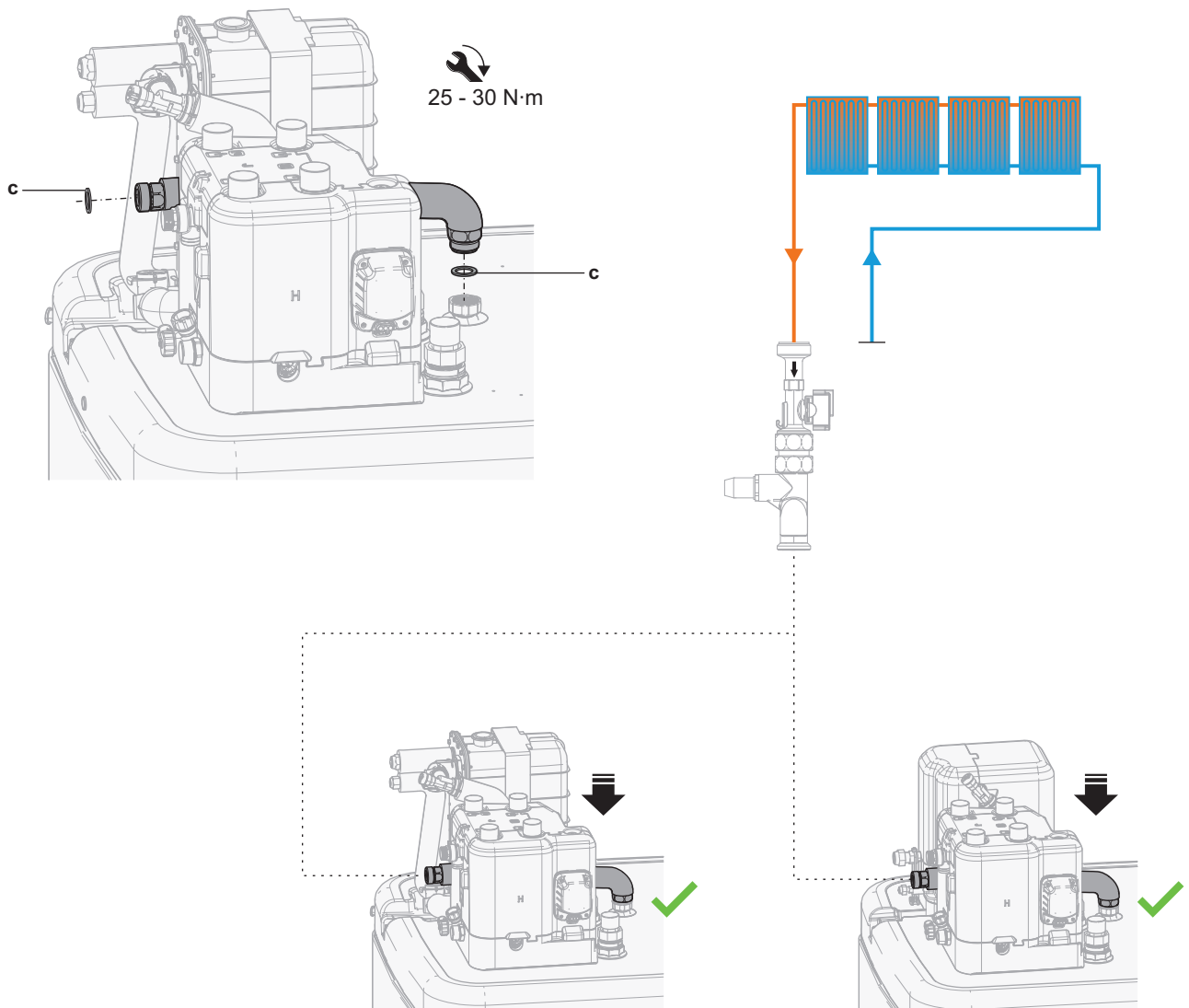
EKECDBC02A*



2.1



2.2



DAIKIN Altherma 3 R ECH₂O - EBS*-D
+
EKECDBC02A*

DAIKIN Altherma 3 R ECH₂O - EHS*-E
+
EKECDBC02A*



[EKECDBCO*AF]

DAIKIN EUROPE N.V.

Zandvoordestraat 300, B-8400 Oostende, Belgium

4P685097-1 01/2022

Copyright © Daikin