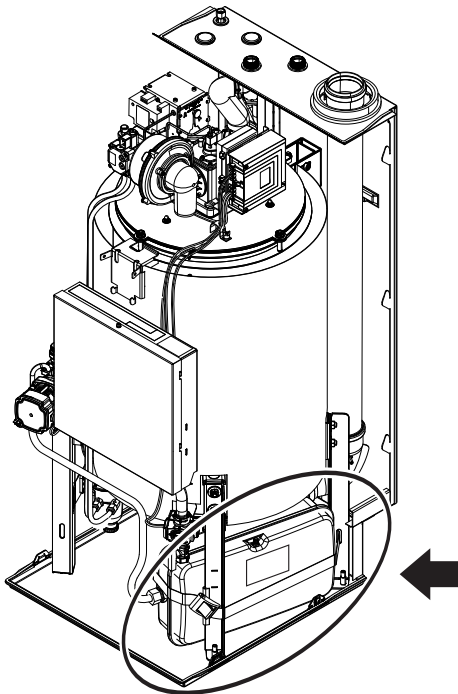




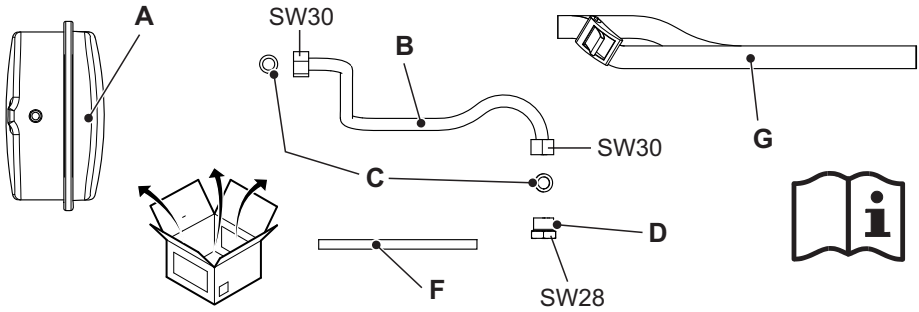
## MAG A2 F



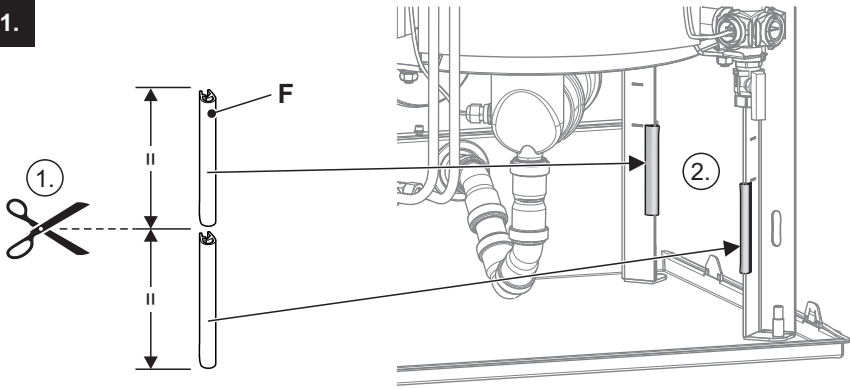
### DREXPAVES12A



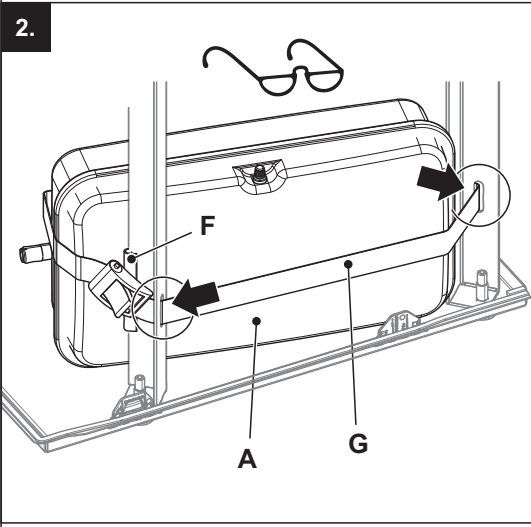
|                |                |
|----------------|----------------|
| P max          | <b>3 bar</b>   |
| Nominal volume | <b>12 L</b>    |
| T max          | <b>90°C</b>    |
| Precharge      | <b>1,5 bar</b> |



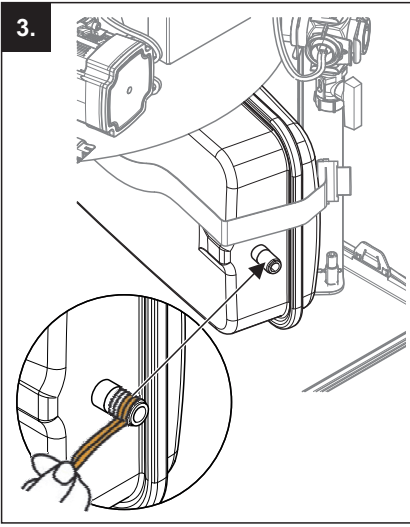
1.



2.

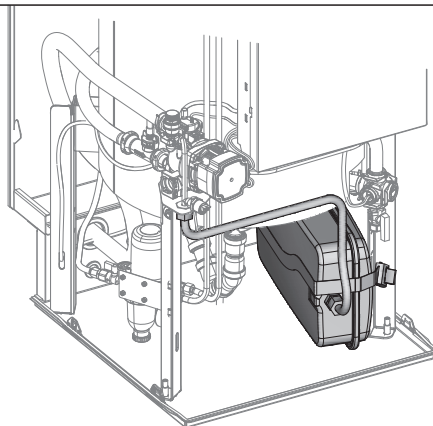
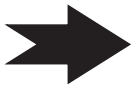
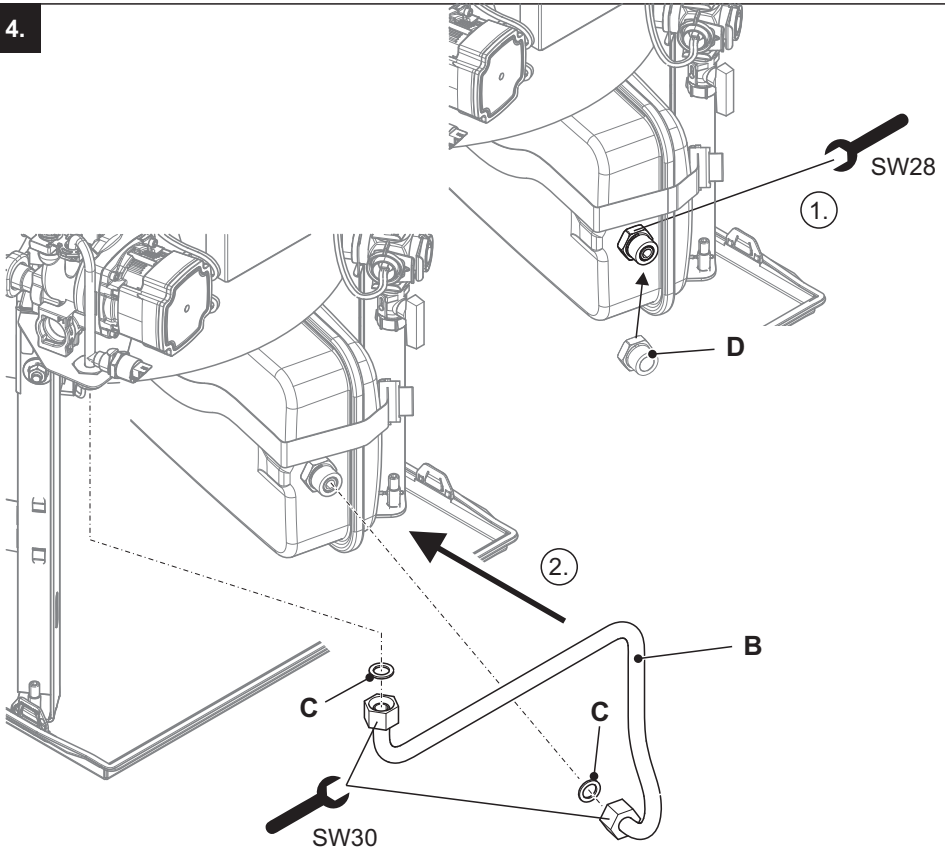


3.



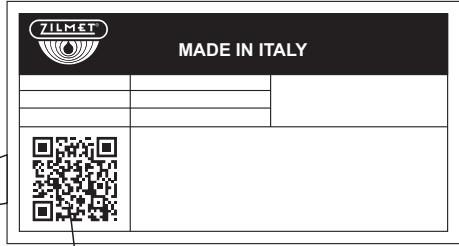
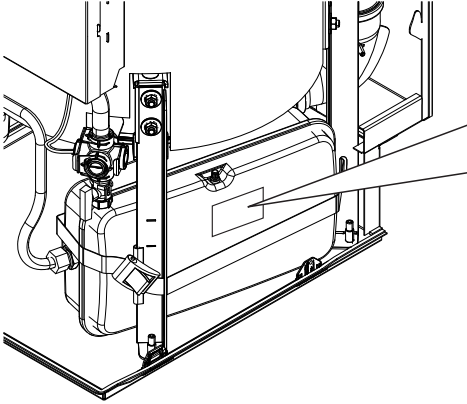


4.





[DREXPAVES12A]



**DAIKIN EUROPE N.V.**

Zandvoordestraat 300, B-8400 Oostende, Belgium

008.1546999 01 05/2019