

DAIKIN



ADDENDUM TO INSTALLATION MANUAL

Heat pump convector

**FWXV15AVEB
FWXV20AVEB**

CONNECTION OF THE HEAT PUMP CONVECTOR TO FIELD PIPING WITHOUT USING THE VALVE KIT

For combinations of the heat pump convector with Altherma LT heating only models or with Monobloc heating only models, the heat pump convector can be installed without using the valve kit.

NOTE



- If the valve kit is not used, fan only operation will not work properly.
- If the unit did not operate for a long period, there can be a delay in operation of the unit. The fan may stop for 8 minutes after operating for 2 minutes. After this delay the fan will operate normally.

For more detailed combinations regarding the need for the valve kit, refer to the technical databook.

INSTALLATION OF THE WATER PIPING TO THE HEAT PUMP CONVECTOR



Be careful not to deform the unit piping by using excessive force when connecting the piping. Deformation of the piping can cause the unit to malfunction.

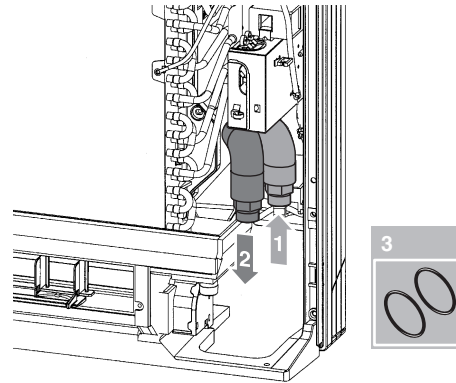
If air, moisture or dust gets in the water circuit, problems may occur. Therefore, always take into account the following when connecting the water circuit:

- Use clean pipes only.
- Hold the pipe end downwards when removing burrs.
- Cover the pipe end when inserting it through a wall so that no dust and dirt enter.
- Use a good thread sealant for the sealing of the connections. The sealing must be able to withstand the pressures and temperatures of the system.
- When using non-brass metallic piping, make sure to insulate both materials from each other to prevent galvanic corrosion.
- Because brass is a soft material, use appropriate tooling for connecting the water circuit. Inappropriate tooling will cause damage to the pipes.



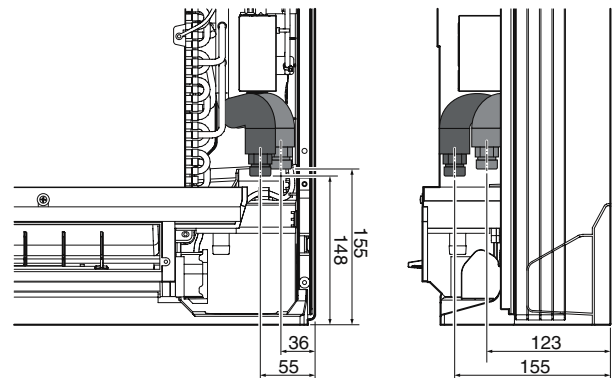
- The unit is only to be used in a closed water system. Application in an open water circuit can lead to excessive corrosion of the water piping.
- Never use Zn-coated parts in the water circuit. Excessive corrosion of these parts may occur as copper piping is used in the unit's internal water circuit.

1 Water piping connections



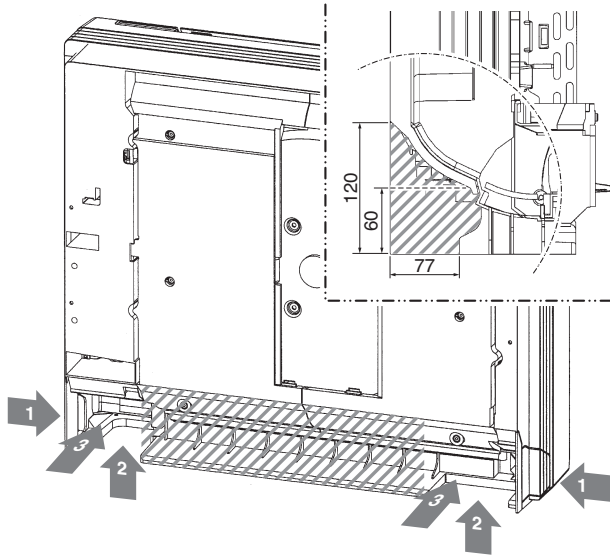
- 1 Water inlet 1/2" female BSP
- 2 Water outlet 1/2" female BSP
- 3 O-ring (2x) (accessory delivered with the heat pump convector)

2 Position of connection pipes



Unit of measurement = mm

3 Field pipe direction possibilities



- 1 Side
- 2 Bottom
- 3 Rear

Piping guide area

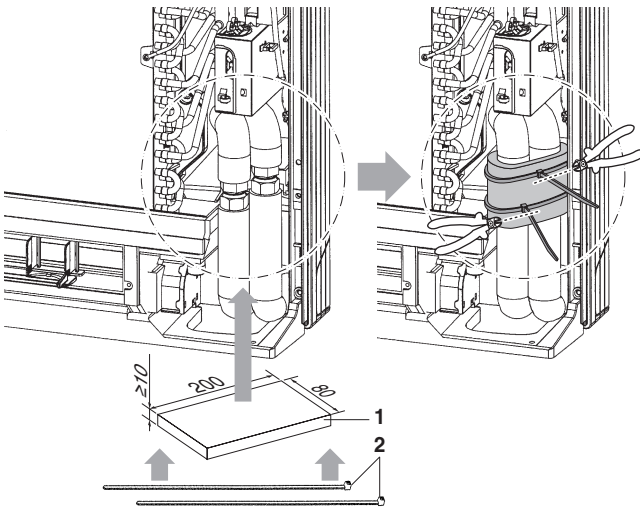
Unit of measurement = mm



Make sure the connection of the field piping and the piping connected in the unit completely fits inside the piping guide area of the unit.

4 Insulation requirements

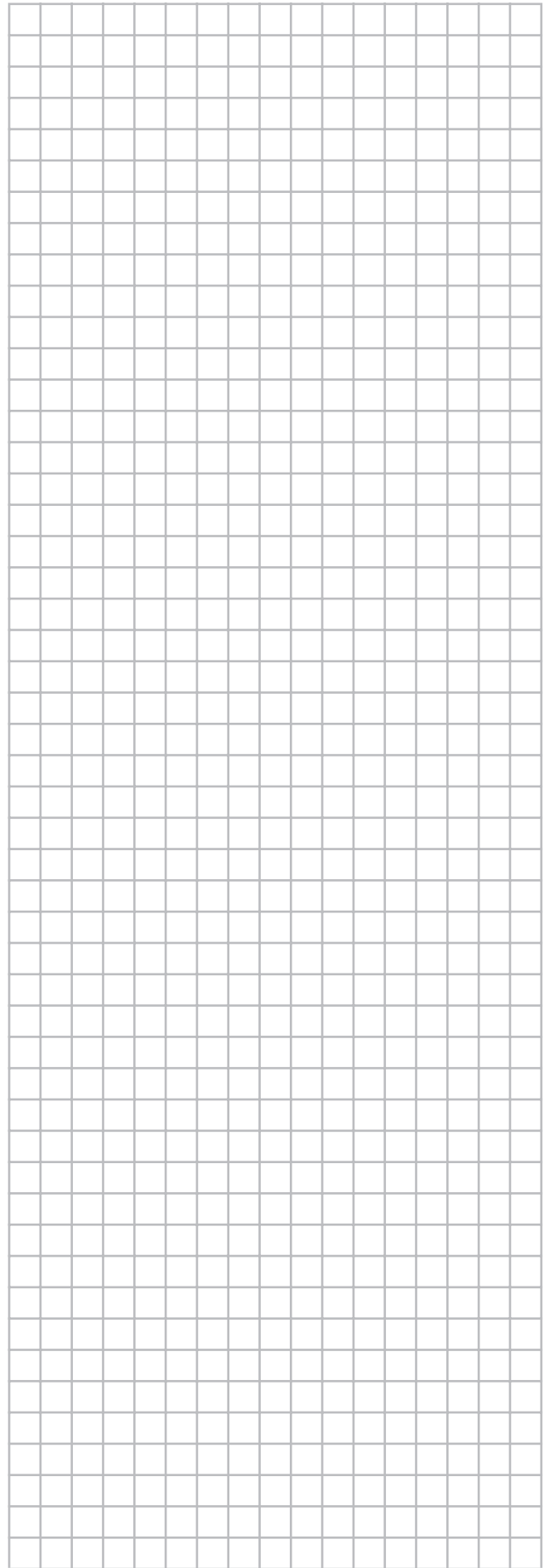
Make sure all field piping and connections are insulated with polyurethane to avoid condensation.



- 1 Insulation material for piping connections (field supply)
- 2 Clamps (field supply)

Unit of measurement = mm

NOTES





4PW62843-1 000000A

Copyright 2010 Daikin

DAIKIN EUROPE N.V.

Zandvoordestraat 300, B-8400 Oostende, Belgium

4PW62843-1